

# SIEVE BENDS

## Offering, One of The Finest Product in Filtering

SIEVE BENDS, also known as a DSM Screen, is ideal for dewatering application (to remove solid from liquids).

Vee-Wire® Design, with slot accuracy, make it better to dewatering and non clogging operation since only particles about half the aperture width pass through the screen.

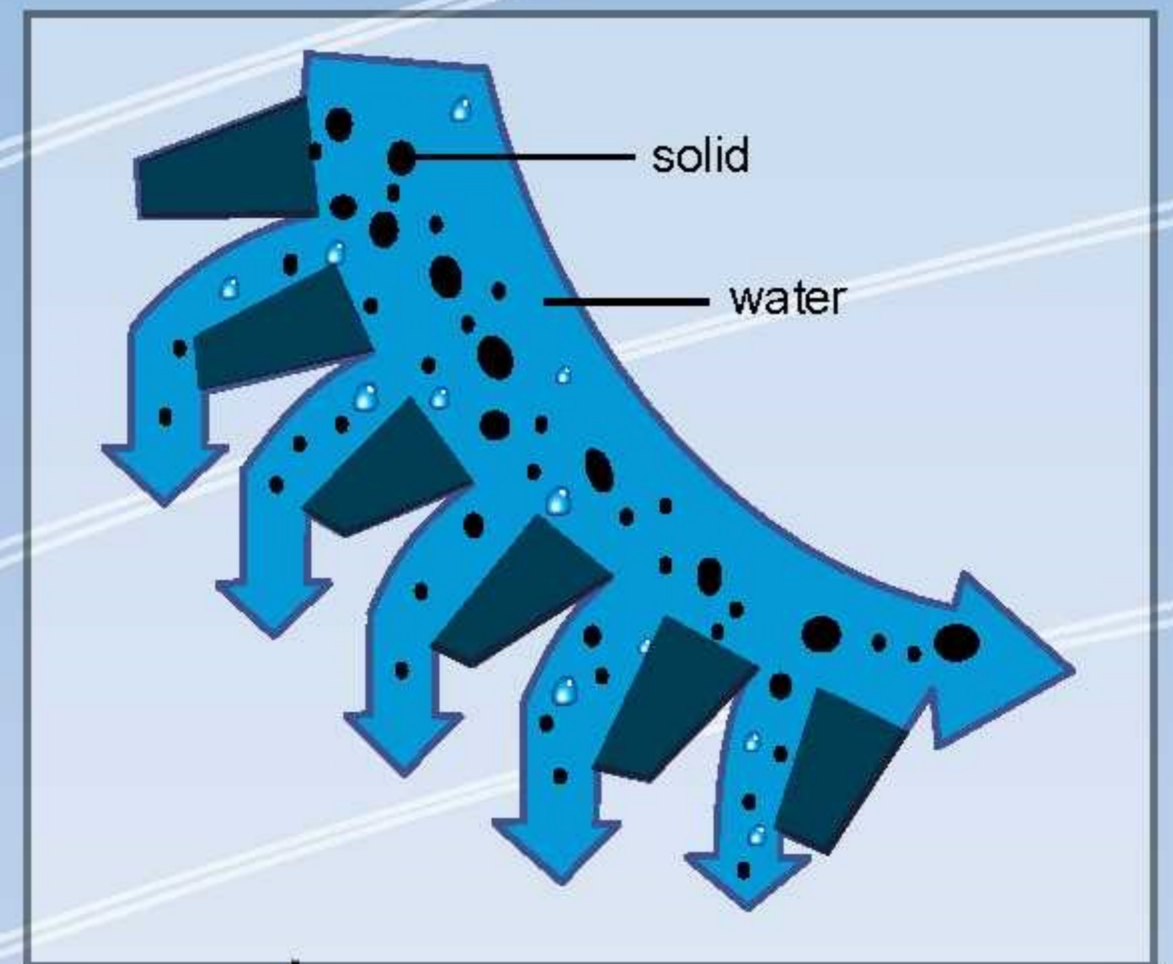
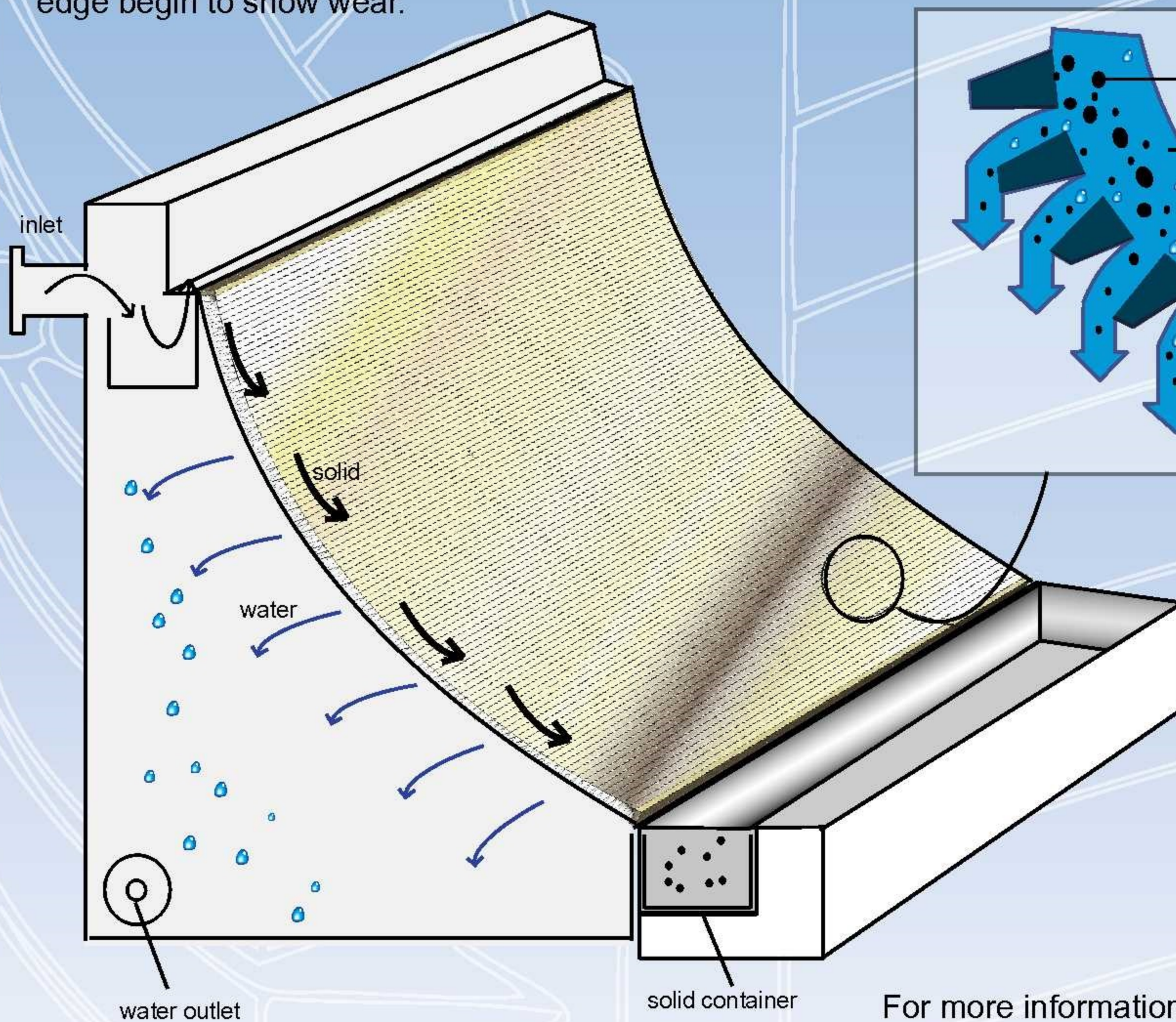
Longer life, and in some cases, the screen life can be extended by reversing it when the wire edge begin to show wear.

### FEATURES:

- ▶ **Vee-Wire® Profile = Non-clogging**
- ▶ **Fine slot = Better Screening**
- ▶ **Adjustable Tilt = Better Dewatering**
- ▶ **Larger Open Area = Higher Capacity**

available in various size & slot

\* Optional automatic cleaning system available



For more information :

